

# Rodenstock®

## Apo-Rodagon

The Apo-Rodagon 50mm f2.8 enlarging lens incorporates world famous Rodenstock optics in a process lens of the highest possible quality. Using advanced computer design techniques and new high performance glass, this fully apochromatic f2.8 enlarging lens can be used wide open for most purposes. The Apo-Rodagon is available in the newly designed Rodenstock lens mount with disengageable click stops for use with today's critical color analyzers, and is designed for the professional darkroom.

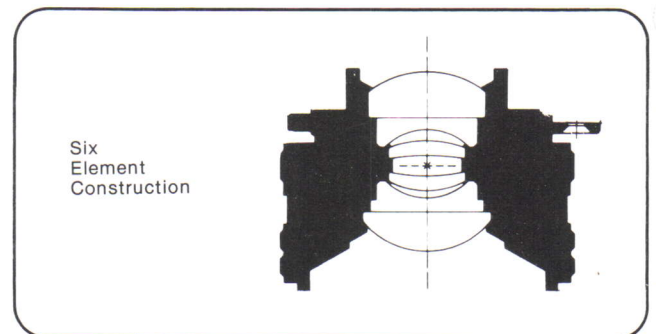
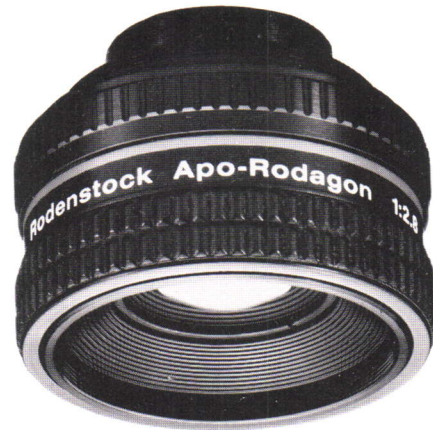
### Key Features

- Fully apochromatic design for superb image quality
- Illuminated f/stop scale for precise aperture setting
- All glass-to-air surfaces hard-coated for maximum light transmission and freedom from flare
- Lens barrel internally and externally finished in non-reflective satin black
- Each lens is individually tested for optimum quality and performance
- Supplied in plastic case with mounting ring and front lens cap
- Leica Thread (39mm) Mount

### Technical Specifications

Cat. No.	Focal Length	Aperture Range	Film Format	Elements Groups	Mounting Thread
452-340	50mm	f2.8 - f16	24x36mm	6 4	39mm
452-342	90mm	f4 - f22	6x7cm	6 4	39mm

Cat. No. 452-340 50mm f2.8  
Cat. No. 452-342 90mm f4



# BMC

RODENSTOCK DIVISION

**BERKEY MARKETING COMPANIES**

25-20 Brooklyn-Queens Expressway West, Woodside, NY 11377  
3400 East 70th Street, Long Beach, CA 90805

