

The Componon-S 4.0/80 (Version -0003) is an 80 mm focal length enlarging lens with 80.6 mm image circle for large format sensors and short working distance. This lens can also be used in reverse position. The modular system with wide-ranging accessories such as helical focus barrel (Unifoc 58 and 76), extension tubes, and adapters for various cameras, can be used for all kind of sophisticated applications from web inspection to laser triangulation. This, the fast F/# of 4.0 and low chromatic aberration, as well as extremely low distortion all combined make these lens unique. Vibration insensitivity for stable imaging performance even when the lens used in harsh industrial environmental, as common in OLED inspection and quality control systems. The Unifoc Series offers more enlarging lenses with 28 mm, 35 mm, 40 mm, 45 mm, 50 mm, 60 mm, 90 mm, 100 mm, 135 mm, 150 mm focal length and a macro lens series and a line scan lens series both for Unifoc 7 and 12 helicoid focus barrels.



Componon-S 4.0/80

Key features

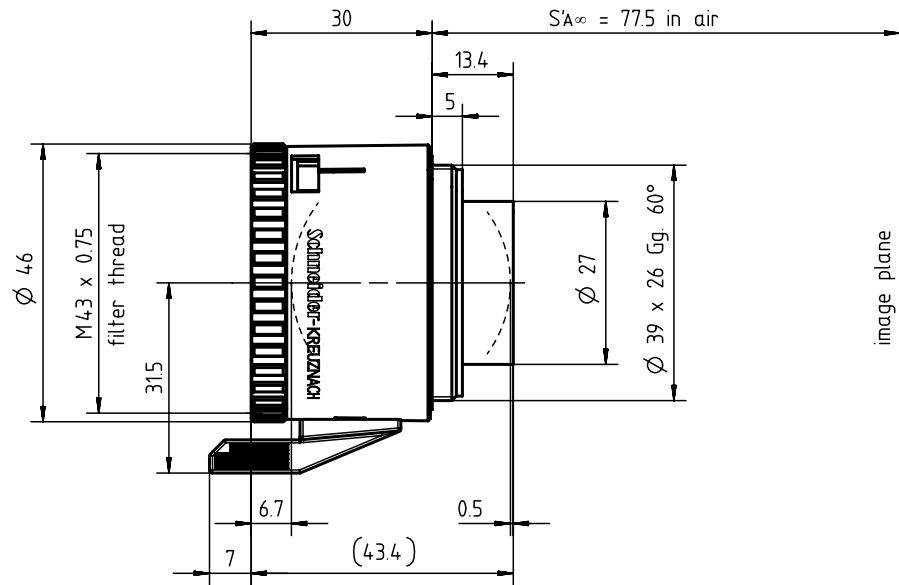
- Large Format
- Short working distance
- Modular: Unifoc 58 and 76 focus helical barrels, extension tubes, various camera adapters
- Possibility to be used in retro position
- Vibration insensitivity for stable imaging performance

Applications

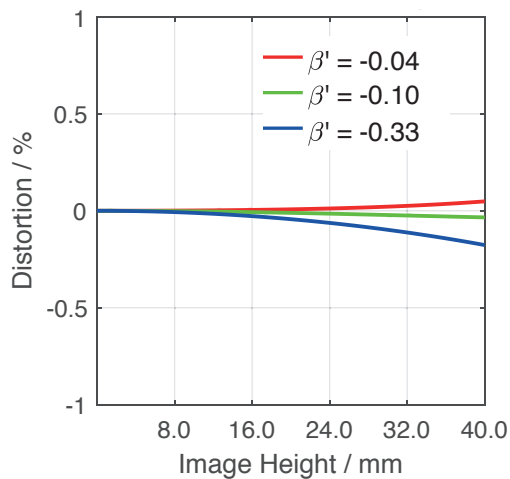
- Solar inspection
- OLED inspection
- Line scan applications
- Laser triangulation
- Quality control

| Name | Componon-S 4.0/80 |
|------------------------------|-------------------|
| Type | -0003 |
| Focal Length [mm] | 80 |
| Magnification | -0.5 |
| Image circle [mm] | 80 |
| Resolution [μm] | 6.45 |
| F/# range | 4 ... 22 |
| NA | 0.12 |
| Interface | Leica-Mount |
| Working distance [mm] | 219 |
| AoV [°] | 52 |
| Focus control | manual |
| Transmission [nm] | 400 - 1000 |
| Filter thread [mm] | M43 x 0.75 |
| Dimensions L x D [mm] | 43.3 x 46.0 |

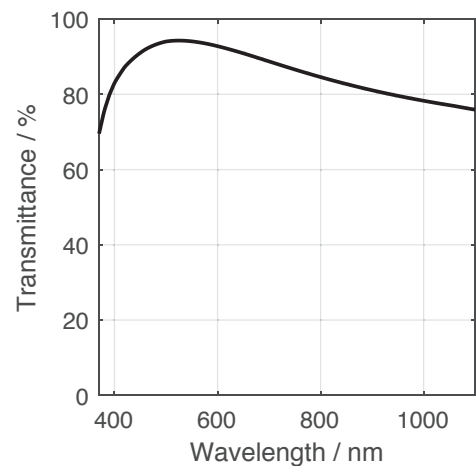
| Name | Componon-S 4.0/80 |
|--------------------------|-------------------|
| Weight [g] | 130 |
| Storage temperature [°C] | -25 ... +70 |
| f'_{eff} [mm] | 80.34 |
| S_F [mm] | -57.92 |
| S'_F [mm] | 64.67 |
| HH' [mm] | -1.81 |
| β'_p | 1.027 |
| S_{EP} [mm] | 20.29 |
| S'_{AP} [mm] | -17.86 |
| Σd [mm] | 36.28 |
| ID | 14850 |



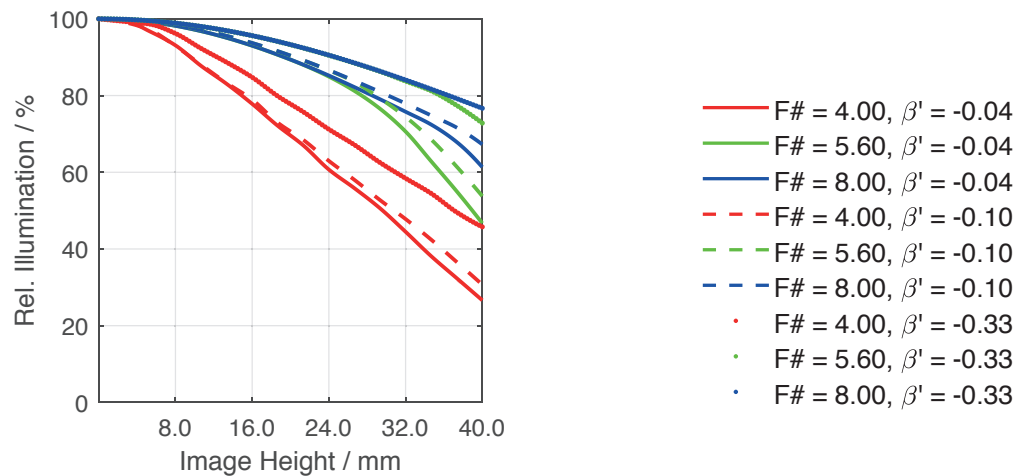
Distortion vs. Image Height



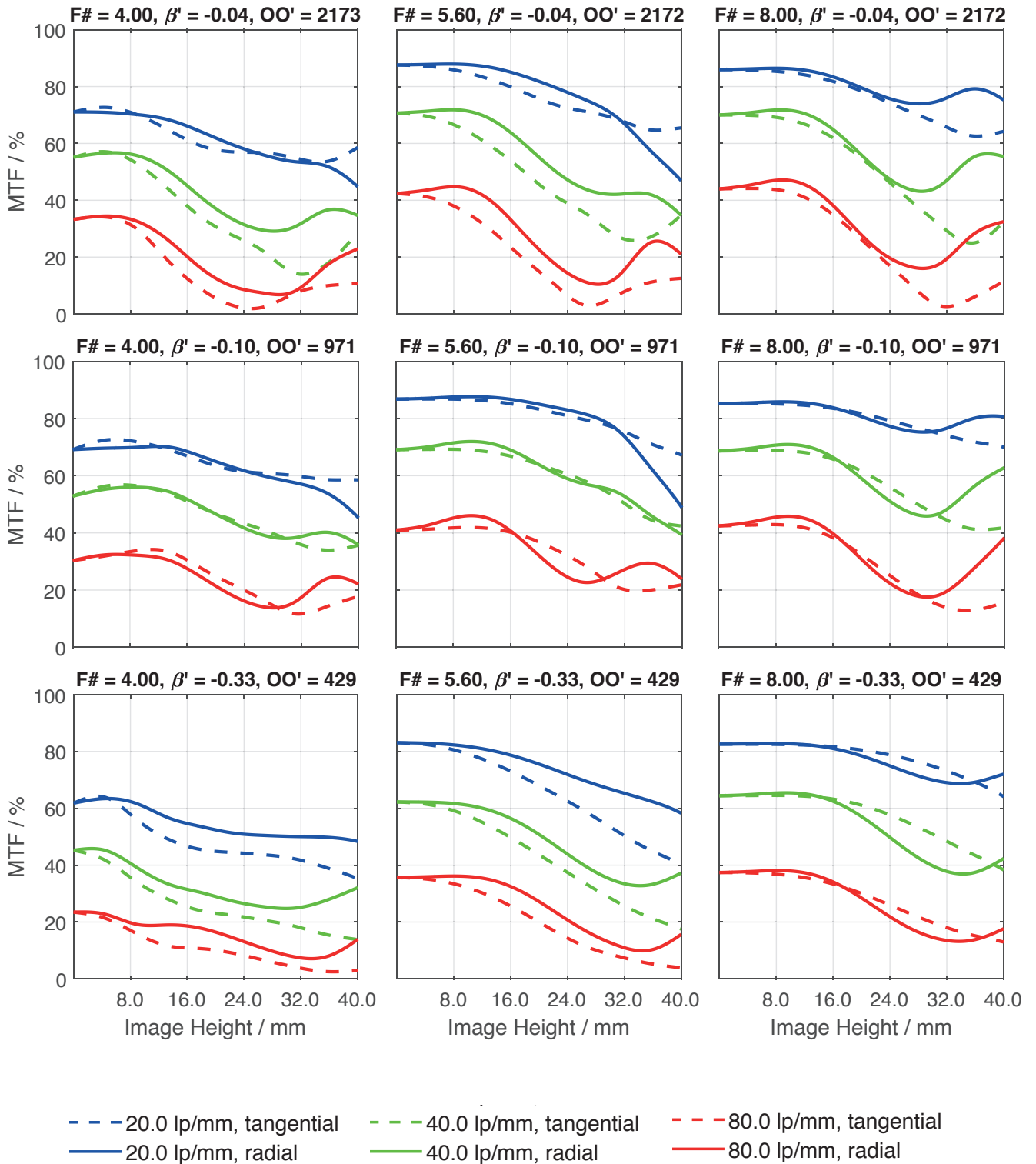
Transmittance vs. Wavelength



Relative Illumination vs. Image Height



| | | | | | | |
|------------------|-----|-----|-----|-----|-----|-----|
| Spectrum Name | VIS | | | | | |
| Wavelengths [nm] | 425 | 475 | 525 | 575 | 625 | 675 |
| Weights | 8 | 16 | 23 | 22 | 19 | 13 |



| Accessories | Mount | Length | ID |
|------------------------------|------------------------------|--------------|---------|
| Macro | UNIFOC 58 Leica / T2 | - | 39549 |
| | UNIFOC 76 Leica / M58 x 0.75 | - | 13048 |
| Ext. Tube | T2 / T2 | 25 mm | 41643 |
| | M58 x 0.75 | 10 mm | 13051 |
| | M58 x 0.75 | 25 mm | 13050 |
| | M72 x 0.75 | 5 mm | 1072420 |
| | M72 x 0.75 | 10 mm | 1072421 |
| | M72 x 0.75 | 25 mm | 26406 |
| | M72 x 0.75 | 50 mm | 1054733 |
| | M95 x 1.0 | 25 mm | 1062892 |
| | M95 x 1.0 | 50 mm | 1062893 |
| | M95 x 1.0 | 100 mm | 1062894 |
| | Adapter | T2 / C-Mount | - |
| T2 / Nikon | | - | 21591 |
| T2 / M42 x 1.0 | | - | 21592 |
| M50 x 0.75 for CPN-S 135/150 | | - | 17231 |
| M72 / 4 x M3 (M4) | | - | 1071925 |
| M58 / M72 x 0.75 | | - | 13052 |
| M58 / M95 x 1 | | - | 1062891 |

Get more information

Contact our local offices



Headquarter Germany

Jos. Schneider Optische Werke GmbH
Ringstraße 132
55543 Bad Kreuznach
☎ +49 671 601 205
✉ cs@schneiderkreuznach.com
www.schneiderkreuznach.com

Offices Worldwide

China

☎ +86 755 8832 1170
✉ shawn.liu@schneider-asiapacific.com

North America

☎ +1 800 645 7239 (East Coast)
☎ +1 800 228 1254 (West Coast)
✉ info@schneideroptics.com

Singapore

☎ +65 9488 0062
✉ thongv@schneiderkreuznach.com