

Nikon **EL-Nikkor**

Enlarging lenses

40mmF4N/50mmF2.8N/63mmF2.8N

75mmF4N/80mmF5.6N/105mmF5.6N/135mmF5.6A/150mmF5.6A/180mmF5.6A

210mmF5.6A/240mmF5.6A/300mmF5.6A/360mmF5.6



Widen your enlarging capabilities with Nikon EL-Nikkor lenses



Serious photographers know that capturing the perfect image on film is only half the challenge. Because if your darkroom equipment doesn't perform, all the time, effort, and inspiration that goes into your picture taking is wasted.

Nikon knows this, too. That's why we produce EL-Nikkor enlarging lenses. Lenses that embody Nikon's unmatched optical technology. Lenses that will realize your photographic aspirations with crystal-clear perfection. Like all Nikon optical products, EL-Nikkor enlarging lenses are constructed of our own optical glass. Because we believe it's the only way a lens manufacturer can guarantee optimum performance. Every EL-Nikkor lens is corrected for chromatic aberration beyond the visible spectrum into near ultraviolet wavelengths, to which photographic papers are particularly sensitive. And, through the use of special optical glass and matching optical coatings, EL-Nikkor lenses are specially designed for ultraviolet transmission in the

350nm to 450nm range. This means Nikkor enlarging lenses can be used for color separation in addition to all other enlarging applications. Focus is maintained at all apertures and magnifications so your prints come out sharp, clear and without annoying color fringing. Nikon EL-Nikkor lenses will also provide you with brilliant, even illumination from corner-to-corner even at wide apertures. Illumination is consistently bright across the field at all apertures, so your prints will be free from fall-off.

And remember that EL-Nikkor lenses are front-threaded to accept screw-in accessories, and can be used as a lens for superb small-object photography. Nikon EL-Nikkor enlarging lenses. With specially designed optics, covering a full range of formats. Assuring that your pictures develop as artfully as they were taken. And proving again that no one takes care of your photographic needs like Nikon.

40mmF4N

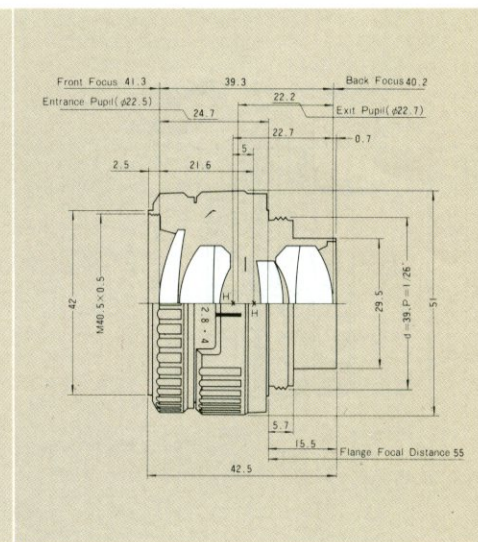
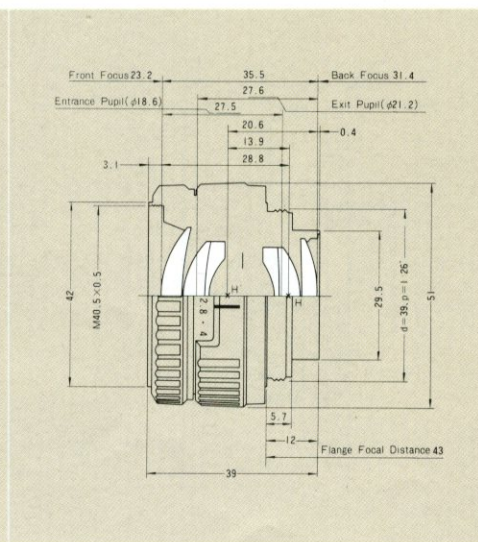
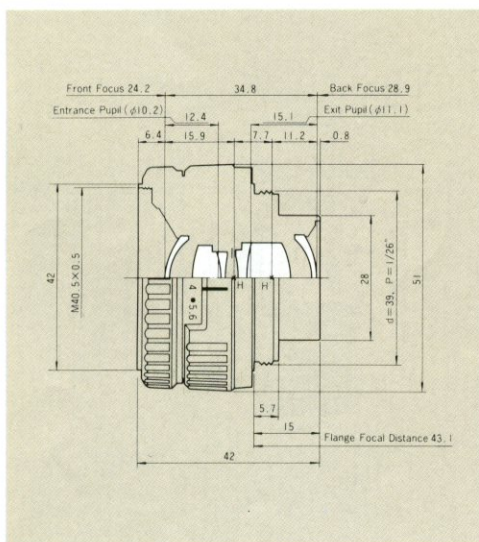
50mmF2.8N

63mmF2.8N

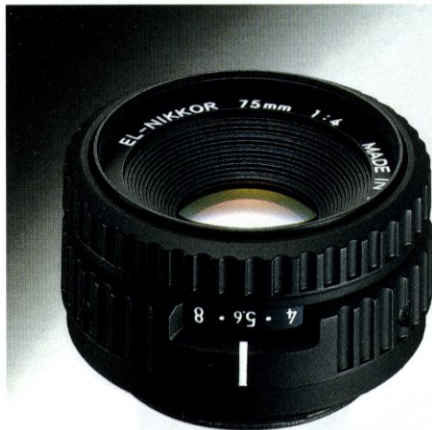


Specifications

Focal length	40.1mm	Focal length	52.0mm	Focal length	62.9mm
Minimum f/stop	f/22	Minimum f/stop	f/16	Minimum f/stop	f/16
Lens construction	4-6	Lens construction	4-6	Lens construction	4-6
Standard magnification	10X	Standard magnification	8X	Standard magnification	8X
Usable magnification range	5X-30X	Usable magnification range	2X-20X	Usable magnification range	2X-20X
Covering power	52°	Covering power	41°	Covering power	43°
Correction wavelength range	380-700nm	Correction wavelength range	380-700nm	Correction wavelength range	380-700nm
Original size	43.2mm ϕ	Original size	43.2mm ϕ	Original size	55.2mm ϕ
Format size	24 \times 36mm	Format size	24 \times 36mm	Format size	32 \times 45mm
Weight	100g	Weight	105g	Weight	120g
Length	42mm	Length	39mm	Length	42.5mm
Diameter	51mm	Diameter	51mm	Diameter	51mm
Front mount size (dia. \times pitch)	-	Front mount size (dia. \times pitch)	-	Front mount size (dia. \times pitch)	-
Attachment size (dia. \times pitch)	40.5mm ϕ \times 0.5mm	Attachment size (dia. \times pitch)	40.5mm ϕ \times 0.5mm	Attachment size (dia. \times pitch)	40.5mm ϕ \times 0.5mm
Rear mount size (dia. \times pitch)	39mm ϕ \times 1/26"	Rear mount size (dia. \times pitch)	39mm ϕ \times 1/26"	Rear mount size (dia. \times pitch)	39mm ϕ \times 1/26"
Flange diameter	-	Flange diameter	-	Flange diameter	-



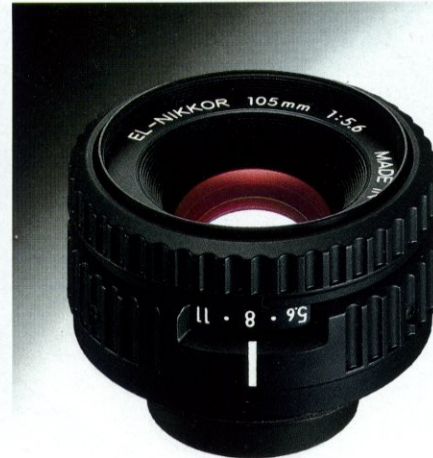
75mmF4N



80mmF5.6N

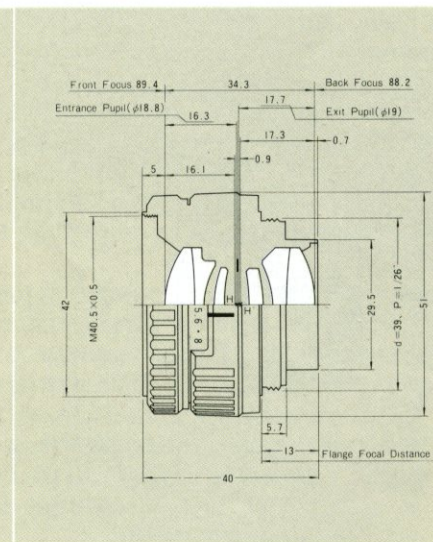
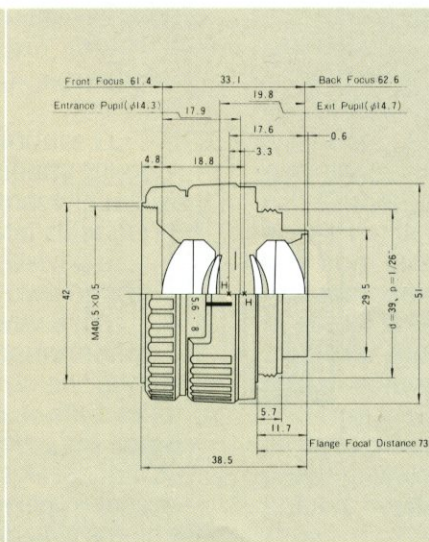
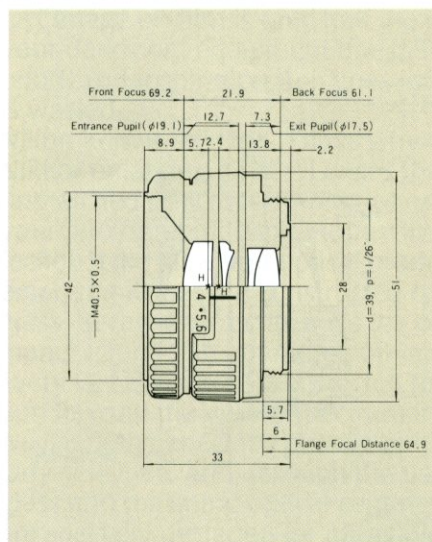


105mmF5.6N



Specifications

Focal length	74.9mm	Focal length	80.2mm	Focal length	105.5mm
Minimum f/stop	f/22	Minimum f/stop	f/32	Minimum f/stop	f/32
Lens construction	3-4	Lens construction	4-6	Lens construction	4-6
Standard magnification	5X	Standard magnification	5X	Standard magnification	5X
Usable magnification range	2X-10X	Usable magnification range	2X-15X	Usable magnification range	2X-10X
Covering power	48°	Covering power	53°	Covering power	51°
Correction wavelength range	380-700nm	Correction wavelength range	380-700nm	Correction wavelength range	380-700nm
Original size	80mm ϕ	Original size	95mm ϕ	Original size	120mm ϕ
Format size	60 \times 60mm	Format size	60 \times 60mm/60 \times 70mm	Format size	60 \times 90mm
Weight	90g	Weight	100g	Weight	110g
Length	33mm	Length	38.5mm	Length	40mm
Diameter	51mm	Diameter	51mm	Diameter	51mm
Front mount size (dia. \times pitch)	-	Front mount size (dia. \times pitch)	-	Front mount size (dia. \times pitch)	-
Attachment size (dia. \times pitch)	40.5mm ϕ \times 0.5mm	Attachment size (dia. \times pitch)	40.5mm ϕ \times 0.5mm	Attachment size (dia. \times pitch)	40.5mm ϕ \times 0.5mm
Rear mount size (dia. \times pitch)	39mm ϕ \times 1/26"	Rear mount size (dia. \times pitch)	39mm ϕ \times 1/26"	Rear mount size (dia. \times pitch)	39mm ϕ \times 1/26"
Flange diameter	-	Flange diameter	-	Flange diameter	-



135mm F5.6A



150mm F5.6A

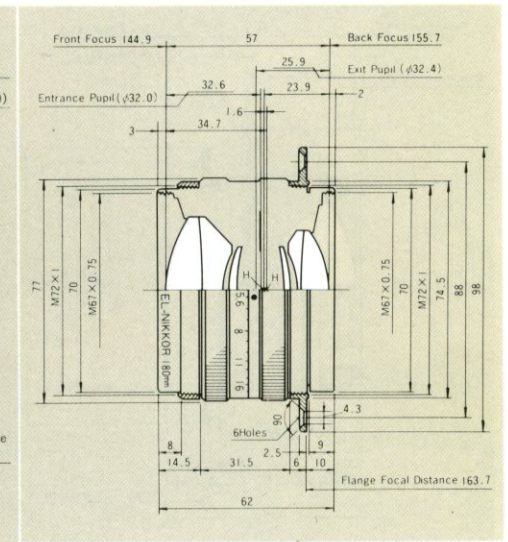
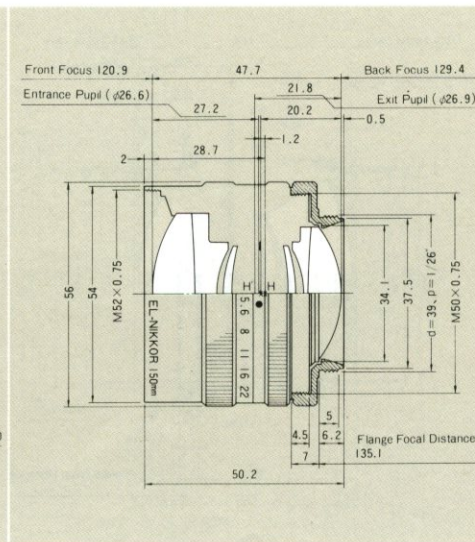
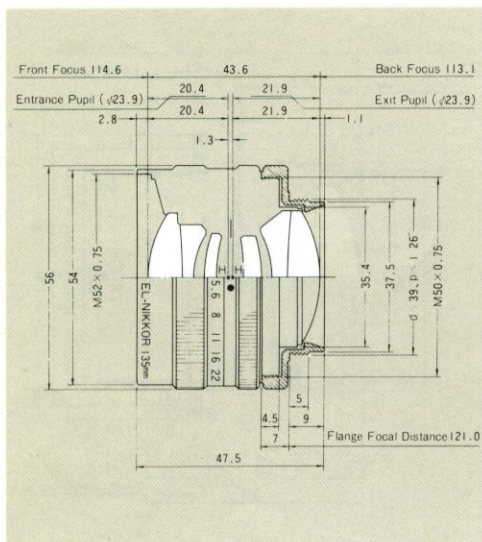


180mm F5.6A



Specifications

Focal length	135mm	Focal length	149.6mm	Focal length	179.6mm
Minimum f/stop	f/45	Minimum f/stop	f/45	Minimum f/stop	f/45
Lens construction	4-6	Lens construction	4-6	Lens construction	4-6
Standard magnification	5X	Standard magnification	4X	Standard magnification	4X
Usable magnification range	2X-10X	Usable magnification range	2X-8X	Usable magnification range	2X-8X
Covering power	53°	Covering power	51°	Covering power	54°
Correction wavelength range	380-700nm	Correction wavelength range	380-700nm	Correction wavelength range	380-700nm
Original size	160mm ϕ	Original size	180mm ϕ	Original size	230mm ϕ
Format size	90 \times 120mm (4 \times 5 in.)	Format size	100 \times 130mm (4 \times 5 in.)	Format size	130 \times 180mm (5 \times 7 in.)
Weight	190g	Weight	210g	Weight	455g
Length	47.5mm	Length	50.2mm	Length	62mm
Diameter	56mm	Diameter	56mm	Diameter	77mm
Front mount size (dia.\timespitch)	-	Front mount size (dia.\timespitch)	-	Front mount size (dia.\timespitch)	72mm ϕ \times 1mm
Attachment size (dia.\timespitch)	52mm ϕ \times 0.75mm	Attachment size (dia.\timespitch)	52mm ϕ \times 0.75mm	Attachment size (dia.\timespitch)	67mm ϕ \times 0.75mm
Rear mount size (dia.\timespitch)	39mm ϕ \times 1/26" 50mm ϕ \times 0.75mm	Rear mount size (dia.\timespitch)	39mm ϕ \times 1/26" 50mm ϕ \times 0.75mm	Rear mount size (dia.\timespitch)	72mm ϕ \times 1mm
Flange diameter	-	Flange diameter	-	Flange diameter	98mm



210mmF5.6A

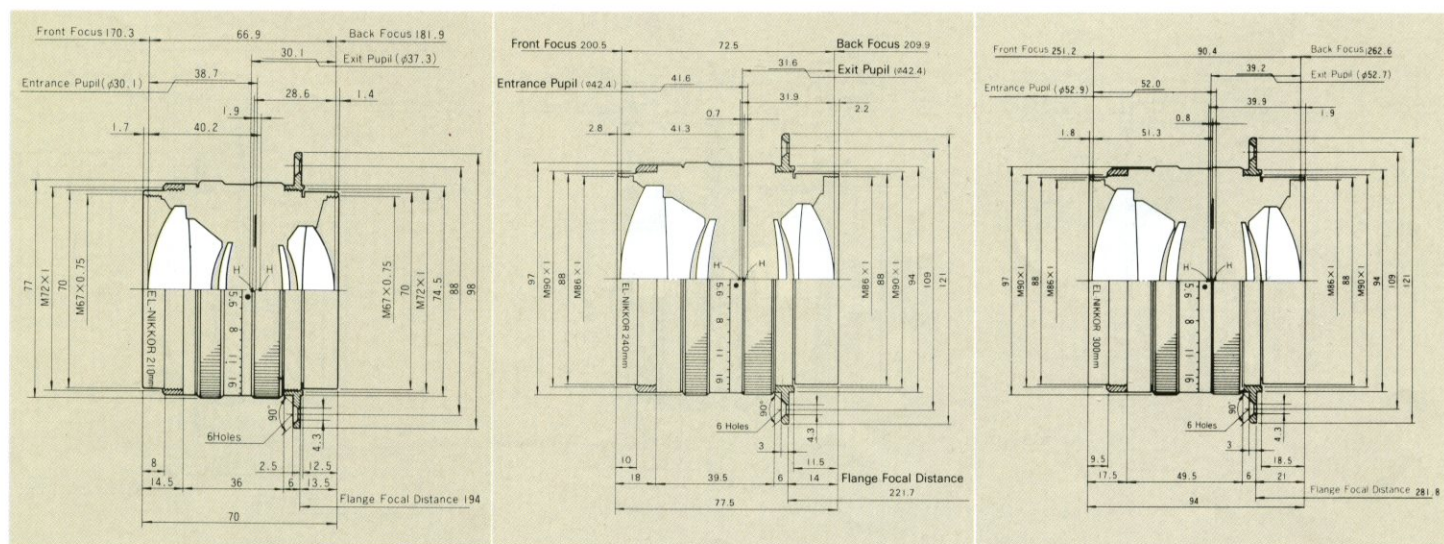
240mmF5.6A

300mmF5.6A



Specifications

Focal length	210.5mm	Focal length	241.8mm	Focal length	302.5mm
Minimum f/stop	f/45	Minimum f/stop	f/45	Minimum f/stop	f/45
Lens construction	4-6	Lens construction	4-6	Lens construction	4-6
Standard magnification	4X	Standard magnification	4X	Standard magnification	2X
Usable magnification range	2X-8X	Usable magnification range	1X-8X	Usable magnification range	1X-8X
Covering power	54°	Covering power	57°	Covering power	57°
Correction wavelength range	380-700nm	Correction wavelength range	380-700nm	Correction wavelength range	380-700nm
Original size	270mm ϕ	Original size	330mm ϕ	Original size	410mm ϕ
Format size	130 \times 210mm (5 \times 7 in.)	Format size	180 \times 240mm (8 \times 10 in.)	Format size	270 \times 330mm (10 \times 12 in.)
Weight	550g	Weight	860g	Weight	1,190g
Length	70mm	Length	77.5mm	Length	94mm
Diameter	77mm	Diameter	97mm	Diameter	97mm
Front mount size (dia. \times pitch)	72mm ϕ \times 1mm	Front mount size (dia. \times pitch)	90mm ϕ \times 1mm	Front mount size (dia. \times pitch)	90mm ϕ \times 1mm
Attachment size (dia. \times pitch)	67mm ϕ \times 0.75mm	Attachment size (dia. \times pitch)	86mm ϕ \times 1mm	Attachment size (dia. \times pitch)	86mm ϕ \times 1mm
Rear mount size (dia. \times pitch)	72mm ϕ \times 1mm	Rear mount size (dia. \times pitch)	90mm ϕ \times 1mm	Rear mount size (dia. \times pitch)	90mm ϕ \times 1mm
Flange diameter	98mm	Flange diameter	121mm	Flange diameter	121mm



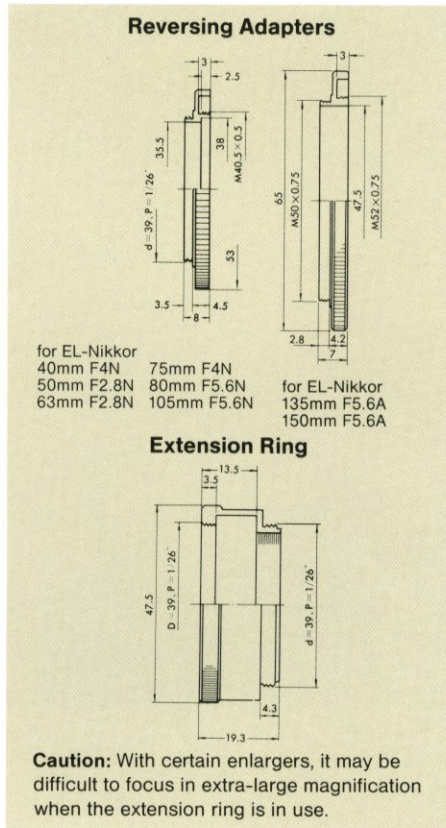
Mounting Accessories

Reverse Adaptors (Optional)

Nikon offers two accessory rings for mounting EL-Nikkor lenses onto process cameras of vertical (enlarger-type) or horizontal configurations. One is for the 40mm F4N, 50mm F2.8N, 63mm F2.8N, 75mm F4N, 80mm F5.6N, and 105mm F5.6N, and allows reverse mounting on a process camera by connecting the ring with the front filter attachment thread. The screw mount thread ($d=39\text{mm}$, $P=1/26''$) of the ring is mounted on the camera. The other is for the 135mm F5.6A and 150mm F5.6A, and is sandwiched between the enlargement side of the lens and the separated lens bottom. The screw mount thread ($d=39\text{mm}$, $P=1/26''$) of the lens bottom is mounted on the camera.

Extension Ring (Optional)

Some enlargers employ a slide-in mounting system which will accommodate a lens to which a base plate has been attached. This extension ring has been designed for use with several EL-Nikkor lenses in which the rear lens element protrudes beyond the lens mount thread (making regular mounting impossible).



Specifications and designs shown herein are
subject to change without notice.



NIKON CORPORATION

Electronic Image Engineering Division

FUJI BLDG., 2-3, MARUNOUCHI 3-CHOME, CHIYODA-KU, TOKYO 100, JAPAN

Phone: 81-3-3214-5311 **Telex:** 22601 (NIKON J) **Fax:** 81-3-3201-5856

Printed in Japan (9201)

Code No. 6CE21700